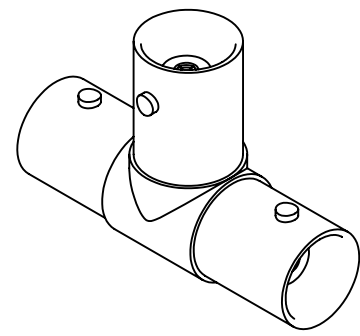
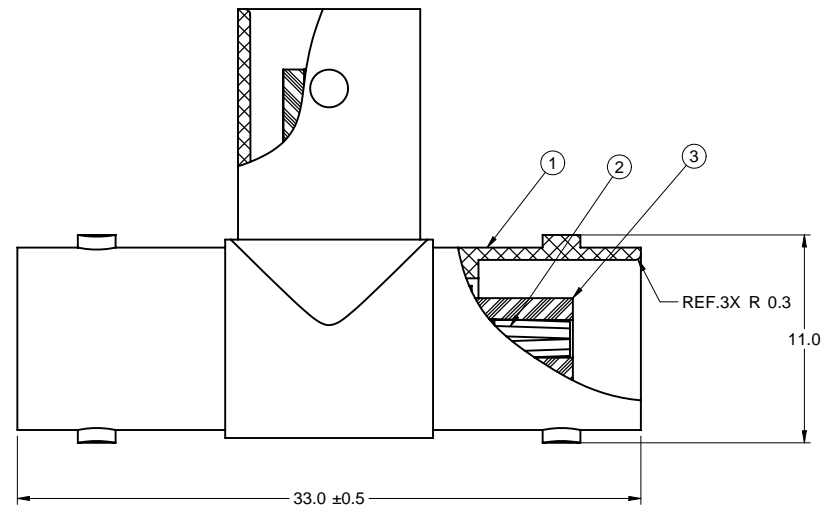
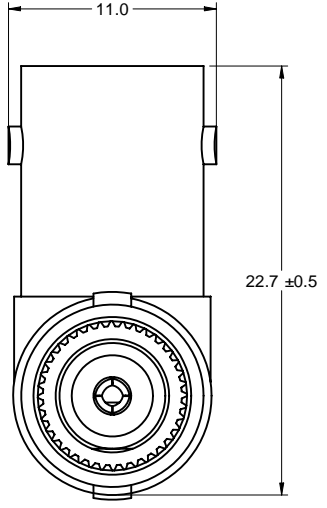


PART NUMBER	ITEM ① BODY	ITEM ② CONTACT	ITEM ③ INSULATOR
27-8141	ZINC NICKEL PLATED	BERYLLIUM GOLD PLATED	TPX

DRAWING NO. 27-8141	
REVISIONS	
A	RELEASE FOR QUOTATION
02-28-06	Y U W T
B	ADD NOTES 4 & 5
10-31-06	Y U W T
C	DEL 4.0, Ø2.0, Ø8.35 Ø9.65, ADD CHAMFER DIM. REF. R0.3, CHANGE TOLERANCE ON OVERALL LENGTH
11-28-06	Z Y U T



NOTES:

- ELECTRICAL SPECIFICATIONS**
 IMPEDANCE: 50 OHMS NOMINAL
 FREQUENCY RANGE: 0-4 GHz
 WORKING VOLTAGE: 500 Vrms MAX AT SEA LEVEL
 DIELECTRIC WITHSTANDING VOLTAGE: 1500 vrms AT SEA LEVEL
 CORONA LEVEL: 375 VOLTS MINIMUM AT 70,000 FEET
 CONTACT RESISTANCE: OUTER-0.2 MILLIOHMS MAXIMUM
 CENTER-2.1 MILLIOHMS MAXIMUM
 INSULATION RESISTANCE: 5000 MEGOHMS MINIMUM
- MECHANICAL SPECIFICATIONS**
 DURABILITY: 500 CYCLES MIN
 FORCE TO ENGAGE/DISENGAGE: 3 LBS MAX
- ENVIRONMENTAL SPECIFICATIONS**
 RECOMMENDED TEMPERATURE RANGE: -55 °C TO +85 °C
 MOISTURE RESISTANCE: MIL-STD-202
- PRODUCT SHOULD BE RoHS COMPLIANCE**
- PACKAGING REQUIREMENT FOLLOWS ENGINEERING DOCUMENT P/N 836-4020001XX.**

THIS DRAWING TO BE INTERPRETED
PER ANSI Y 14.5M - 1994
COMPANY CONFIDENTIAL

TOLERANCE UNLESS OTHERWISE SPECIFIED		DRAWN BY GARY.ZHG		DATE 11-28-06	
DECIMALS	mm	CHECKED BY BETTY.YU		DATE 11-28-06	
X	+ 0.5	APPROVED BY THOMAS		DATE 11-28-06	
X.X	+ 0.2				
X.XX	+ 0.1				
ANGLES	+ 0.5°	U/M	mm		

EMERSON Network Power		Connectivity Solutions	
TITLE 50 OHM BNC T ADAPTER			
SHEET 1 OF 1	DRAWING NO. 27-8141	SIZE C	

THIS DRAWING WAS PRODUCED BY COMPUTER,
DO NOT SCALE DRAWING OR UPDATE MANUALLY.